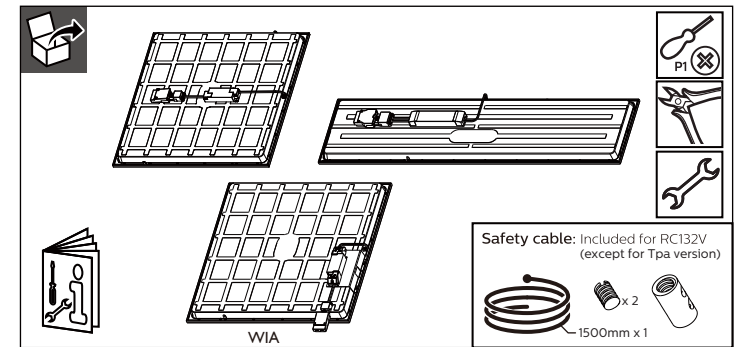
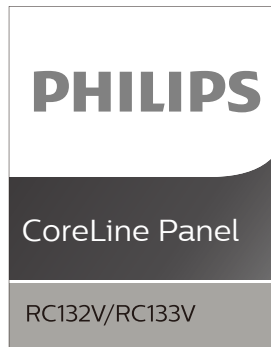



© 2022 Signify Holding.
 All rights reserved. This document contains information relating to the product portfolio of Signify which information may be subject to change. No representation or warranty as to the accuracy or completeness of the information included herein is given and any liability for any action in reliance thereon is disclaimed. The information presented in this document is not intended as any commercial offer and does not form part of any quotation or contract. Philips and the Philips Shield Emblem are registered trademarks of Koninklijke Philips N.V.. All other trademarks are owned by Signify Holding or their respective owners.

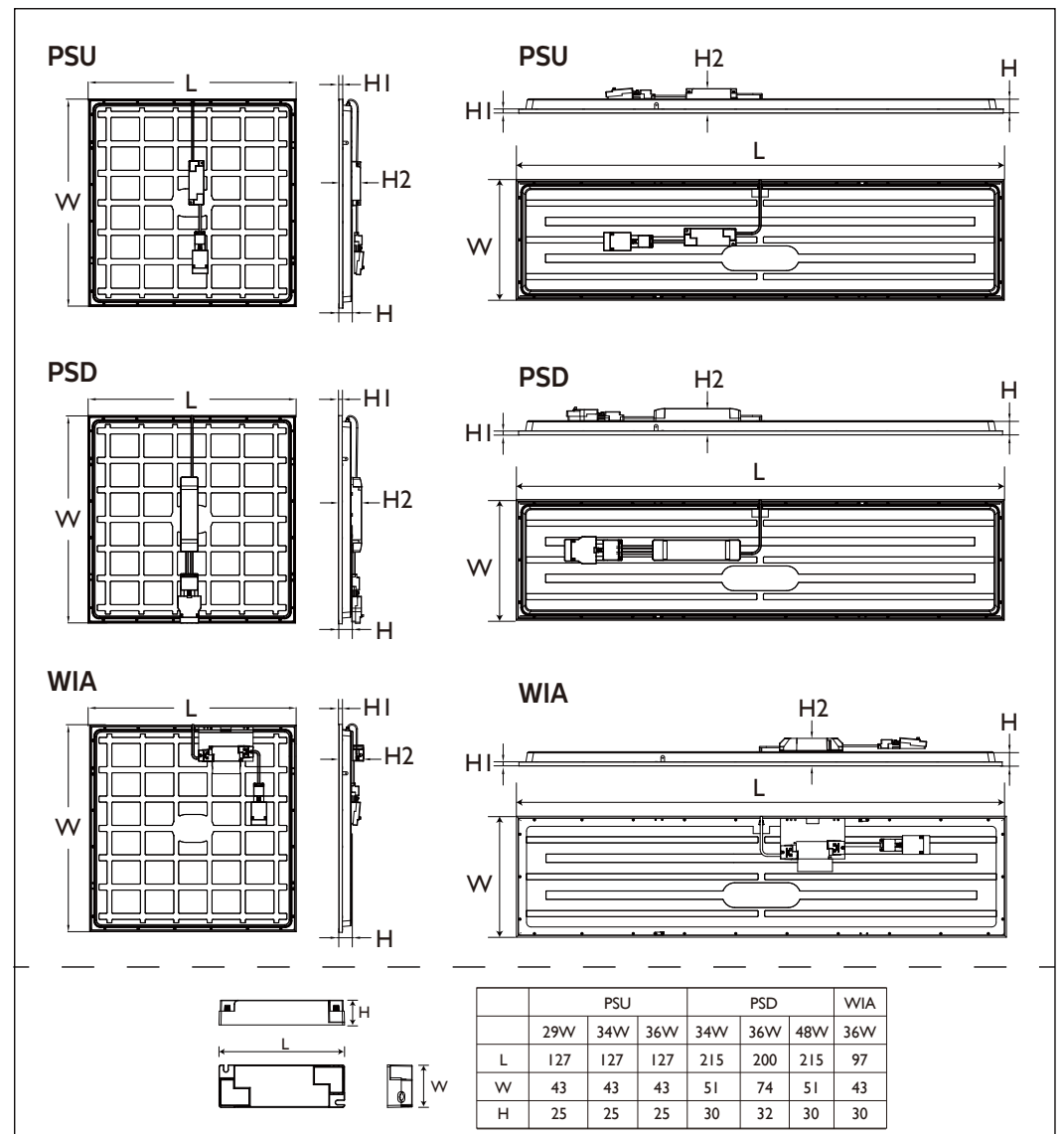
Signify Holding.
 The Netherlands



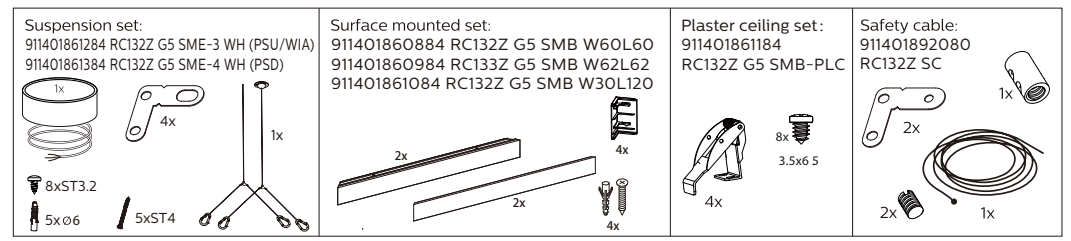
	Lumen(lm)	CCT(K)	P(W)	Energy efficiency class of light source	L×W×H(mm)	H1/H2(mm)	kg
RC132V G5 34S/830 PSU W60L60 NOC	3400	3000	28.5	D	595X595X36	10/62	1.90
RC132V G5 36S/840 PSU W60L60 NOC	3600	4000	28.5	D	595X595X36	10/62	1.90
RC132V G5 36S/840 PSU W30L120 NOC	3600	4000	28.5	D	1195X295X36	10/62	2.00
RC132V G5 34S/830 PSU W60L60 OC	3400	3000	28.5	D	595X595X37	11/63	2.20
RC132V G5 36S/840 PSU W60L60 OC	3600	4000	28.5	D	595X595X37	11/63	2.20
RC132V G5 36S/840 PSU W30L120 OC	3600	4000	28.5	D	1195X295X37	11/63	2.30
RC132V G5 34S/830 PSD W60L60 OC	3400	3000	28.5	D	595X595X37	11/68	2.20
RC132V G5 36S/840 PSD W60L60 OC	3600	4000	28.5	D	595X595X37	11/68	2.20
RC132V G5 48S/840 PSD W60L60 OC	4800	4000	40	D	595X595X37	11/68	2.20
RC132V G5 34S/830 PSD W30L120 OC	3400	3000	28.5	D	1195X295X37	11/68	2.30
RC132V G5 36S/840 PSD W30L120 OC	3600	4000	28.5	D	1195X295X37	11/68	2.30
RC132V G5 36S/940 PSU W60L60 NOC	3600	4000	34.5	E	595X595X36	10/62	1.90
RC132V G5 36S/940 PSU W60L60 OC	3600	4000	34.5	E	595X595X37	11/63	2.20
RC132V G5 36S/940 PSU W30L120 OC	3600	4000	34.5	E	1195X295X37	11/63	2.30
RC132V G5 36S/940 PSD W60L60 OC	3600	4000	34.5	E	595X595X37	11/68	2.20
RC132V G5 43S/940 PSD W60L60 OC	4300	4000	40	E	595X595X37	11/68	2.20
RC132V G5 36S/840 PSD W60L60 OC TP(a)	3600	4000	28.5	D	595X595X37	11/68	2.20
RC132V G5 34S/830 PSU W60L60 NOC W3	3400	3000	28.5	D	595X595X36	10/62	1.90
RC132V G5 36S/840 PSU W60L60 NOC W3	3600	4000	28.5	D	595X595X36	10/62	1.90
RC132V G5 36S/840 PSU W30L120 NOC W3	3600	4000	28.5	D	1195X295X36	10/62	2.00
RC132V G5 34S/830 PSU W60L60 OC W3	3400	3000	28.5	D	595X595X37	11/63	2.20
RC132V G5 36S/840 PSU W60L60 OC W3	3600	4000	28.5	D	595X595X37	11/63	2.20
RC132V G5 36S/840 PSU W30L120 OC W3	3600	4000	28.5	D	1195X295X37	11/63	2.30
RC132V G5 34S/830 PSD W60L60 OC W5	3400	3000	28.5	D	595X595X37	11/68	2.20
RC132V G5 36S/840 PSD W60L60 OC W5	3600	4000	28.5	D	595X595X37	11/68	2.20

	Lumen(lm)	CCT(K)	P(W)	Energy efficiency class of light source	LxWxH(mm)	H1/H2(mm)	
RC132V G5 40S/830 PSD W60L60 OC W5	4000	3000	34.5	D	595X595X37	11/68	2.20
RC132V G5 34S/830 PSD W30L120 OC W5	3400	3000	28.5	D	1195X295X37	11/68	2.30
RC132V G5 36S/840 PSD W30L120 OC W5	3600	4000	28.5	D	1195X295X37	11/68	2.30
RC132V G5 34S/830 WIA W60L60 NOC	3400	3000	28.5	D	595X595X36	10/70	2.00
RC132V G5 36S/840 WIA W60L60 NOC	3600	4000	28.5	D	595X595X36	10/70	2.00
RC132V G5 36S/840 WIA W30L120 NOC	3600	4000	28.5	D	295X1195X36	10/70	2.10
RC132V G5 34S/830 WIA W60L60 OC	3400	3000	28.5	D	595X595X37	11/71	2.30
RC132V G5 36S/840 WIA W60L60 OC	3600	4000	28.5	D	595X595X37	11/71	2.30
RC132V G5 43S/840 WIA W60L60 OC	4300	3000	34.5	D	595X595X37	11/71	2.30
RC132V G5 36S/840 WIA W30L120 OC	3600	4000	28.5	D	295X1195X37	11/71	2.40
RC132V G5 34S/830 WIA W60L60 NOC W3	3400	3000	28.5	D	595X595X36	10/70	2.00
RC132V G5 36S/840 WIA W60L60 NOC W3	3600	4000	28.5	D	595X595X36	10/70	2.00
RC132V G5 43S/840 WIA W60L60 NOC W3	4300	4000	34.5	D	595X595X36	10/70	2.00
RC132V G5 34S/830 WIA W60L60 OC W3	3400	3000	28.5	D	595X595X37	11/71	2.30
RC132V G5 36S/840 WIA W60L60 OC W3	3600	4000	28.5	D	595X595X37	11/71	2.30
RC132V G5 43S/840 WIA W60L60 OC W3	4300	4000	34.5	D	595X595X37	11/71	2.30
RC132V G5 36S/840 WIA W30L120 OC W3	3600	4000	28.5	D	295X1195X37	11/71	2.40
RC132V G5 36S/840 WIA W60L60 OC TP(a)	3600	4000	28.5	D	595X595X37	11/71	2.30
RC132V G5 29_34_40S/830 PSU W60L60 OC	2900/3400/4000	3000	24.5/28.5*/34.5	D	595X595X37	11/63	2.20
RC132V G5 31_36_43S/840 PSU W60L60 OC	3100/3600*/4300	4000	24.5/28.5*/34.5	D	595X595X37	11/63	2.20
RC132V G5 31_36_43S/840 PSD W60L60 NOC	3100/3600*/4300	4000	24.5/28.5*/34.5	D	595X595X36	10/62	2.20
RC132V G5 29_34_40S/830 PSD W60L60 OC	2900/3400*/4000	3000	24.5/28.5*/34.5	D	595X595X37	11/68	2.20
RC132V G5 31_36_43S/840 PSD W60L60 OC	3100/3600*/4300	4000	24.5/28.5*/34.5	D	595X595X37	11/68	2.20
RC132V G5 31_36_43S/940 PSD W30L120 OC	3100/3600*/4300	4000	28.5/34.5*/40	E	295X1195X37	11/68	2.30
RC133V G5 34S/830 PSU W62L62 NOC	3400	3000	28.5	D	595X595X37	10/62	2.20
RC133V G5 36S/840 PSU W62L62 NOC	3600	4000	28.5	D	595X595X37	10/62	2.20
RC133V G5 36S/840 PSU W62L62 OC	3600	4000	28.5	D	595X595X36	11/63	2.20
RC133V G5 36S/840 PSD W62L62 OC	3600	4000	28.5	D	595X595X37	11/68	2.20
RC133V G5 34S/830 WIA W62L62 OC	3400	3000	28.5	D	595X595X37	11/71	2.20
RC133V G5 36S/840 WIA W62L62 OC	3600	4000	28.5	D	295X1195X37	11/71	2.30
RC133V G5 29_34_40S/830 PSU W62L62 OC	2900/3400/4000*	3000	24.5/28.5/34.5*	D	620X620X37	11/63	2.30
RC133V G5 31_36_43S/840 PSU W62L62 OC	3100/3600/4300*	4000	24.5/28.5/34.5*	D	620X620X37	11/63	2.30
RC133V G5 31_36_43S/865 PSU W62L62 OC	3100/3600/4300*	6500	24.5/28.5/34.5*	D	620X620X37	11/63	2.30
RC133V G5 29_34_40S/830 PSD W62L62 OC	2900/3400/4000*	3000	24.5/28.5/34.5*	D	620X620X37	11/68	2.30
RC133V G5 31_36_43S/840 PSD W62L62 OC	3100/3600/4300*	4000	24.5/28.5/34.5*	D	620X620X37	11/68	2.30

* Default setting

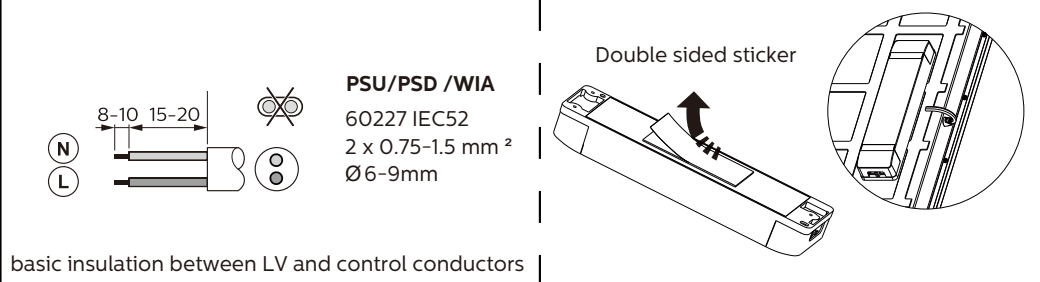
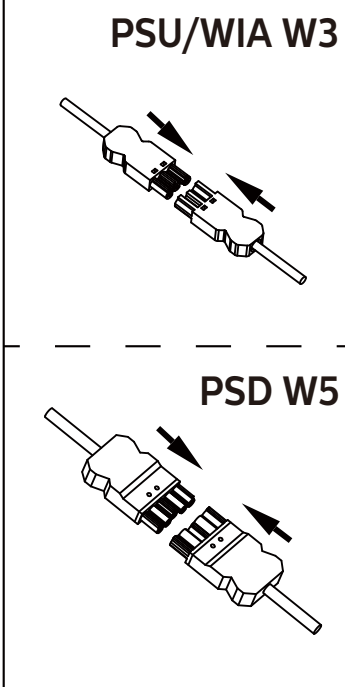
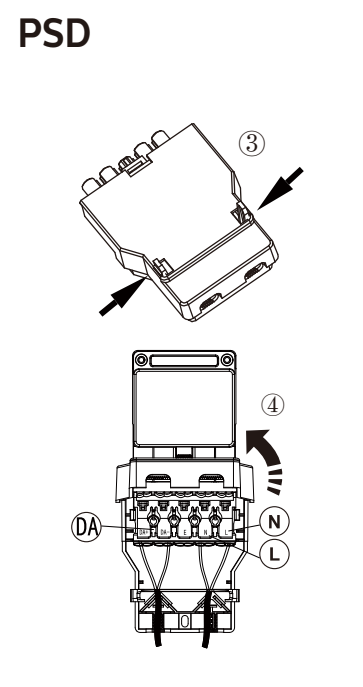
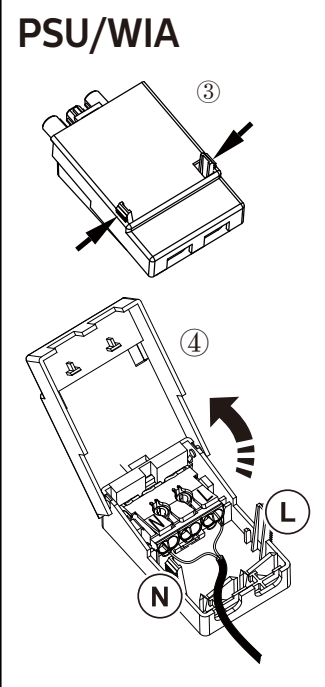
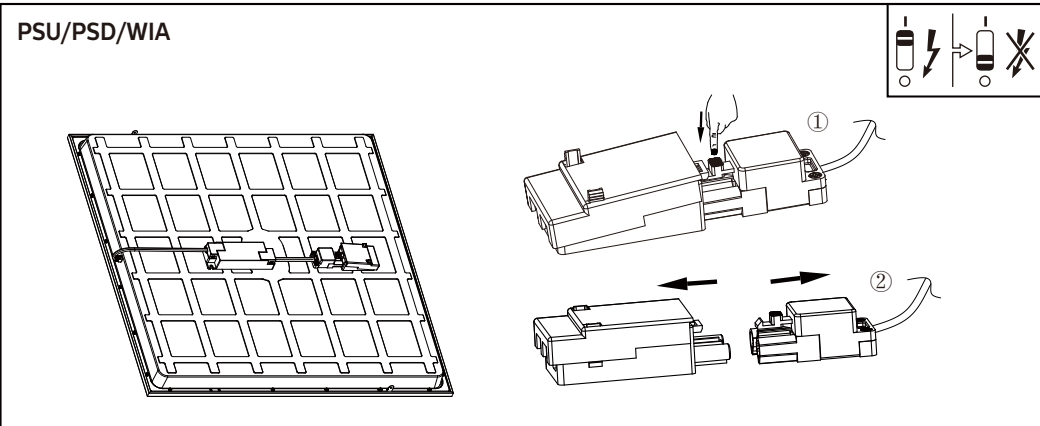


Available as accessory (Need to purchase separately)

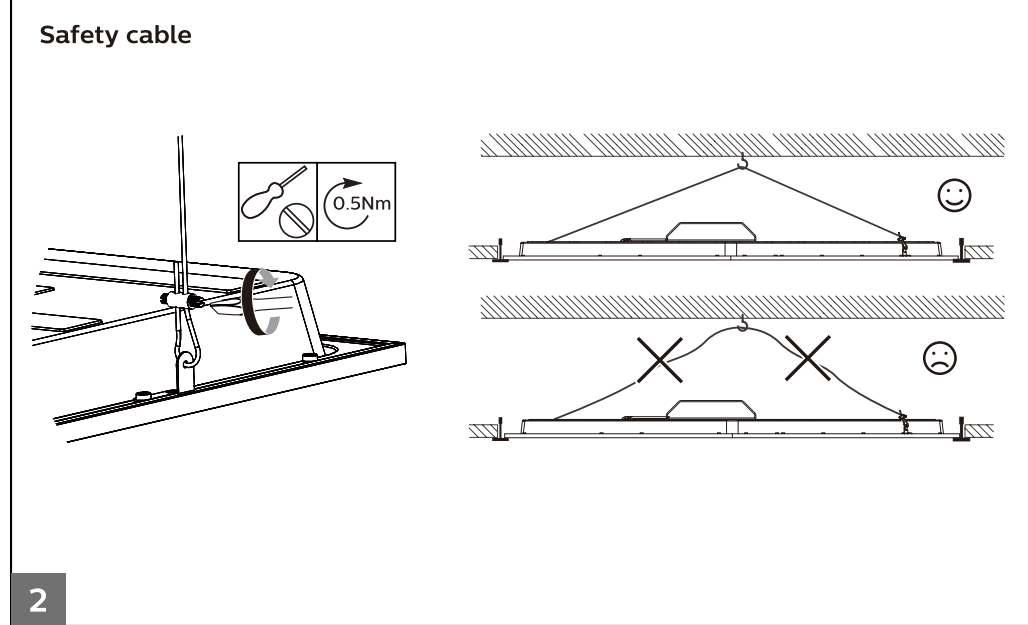
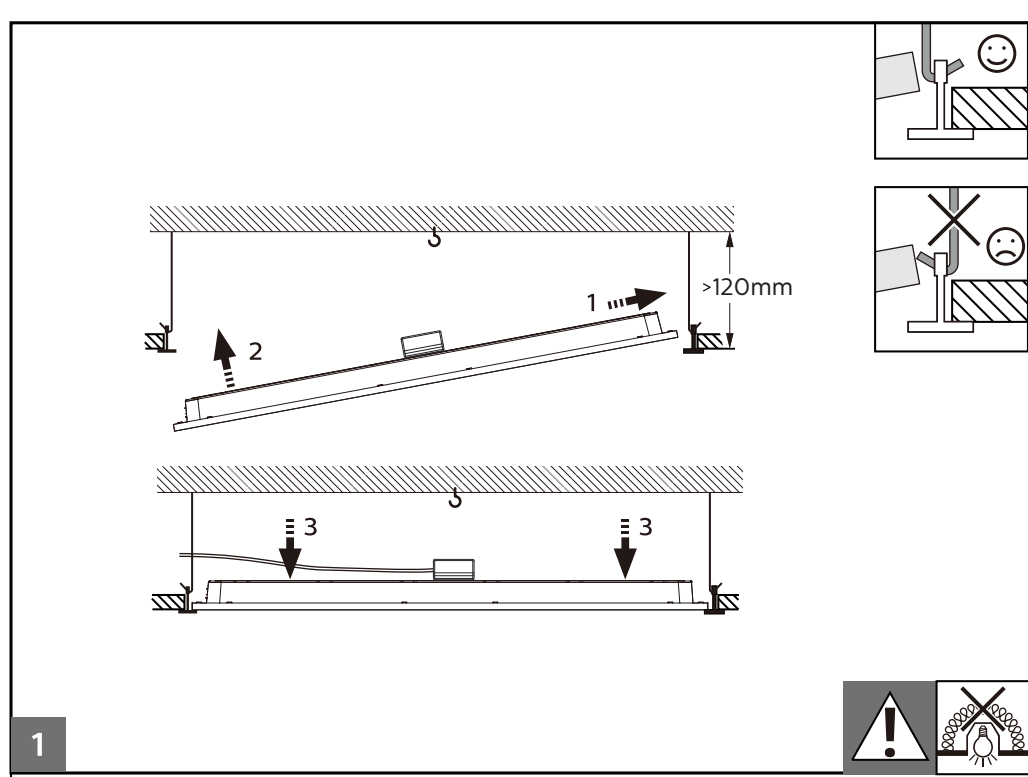




Quick-connectors



VPC Visible Profile Ceiling/ Lay-In mounting

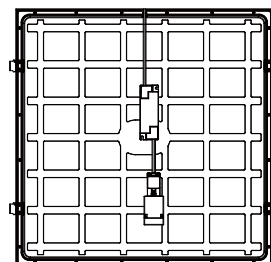




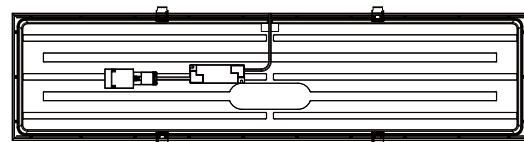
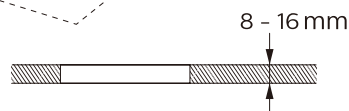
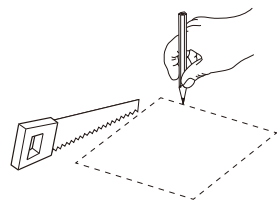
PCV plaster ceiling version (IK02)

Optional with
911401861184 RC132Z G5 SMB-PLC

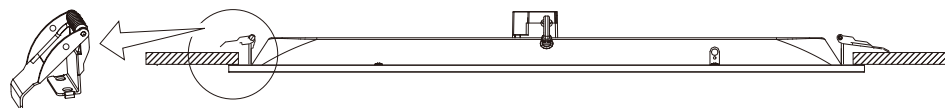
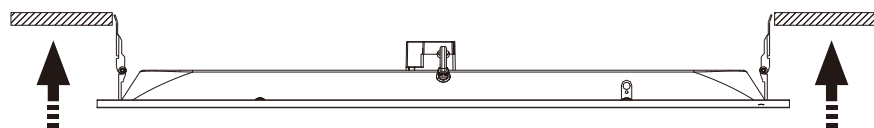
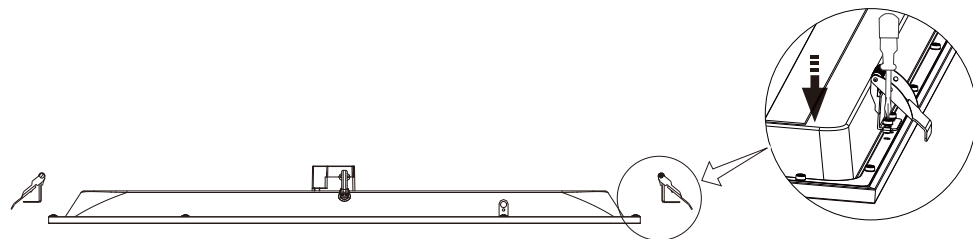
Install safety cable
(Optional)



	A (mm)	B (mm)
W60L60	580	580
W62L62	580	580
W30L120	1180	280



1

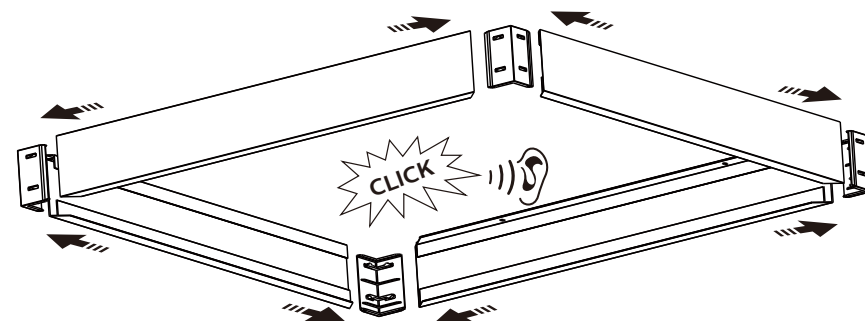


2

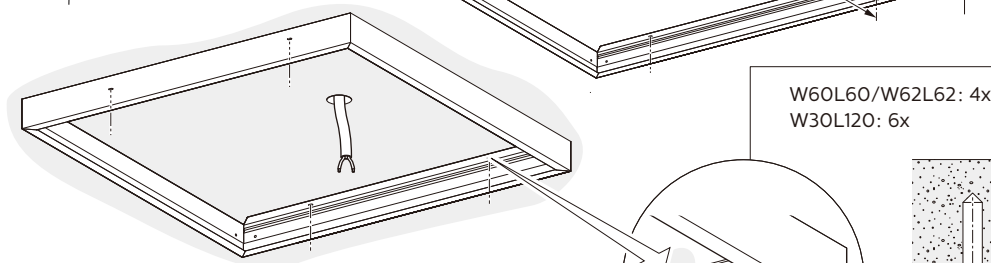
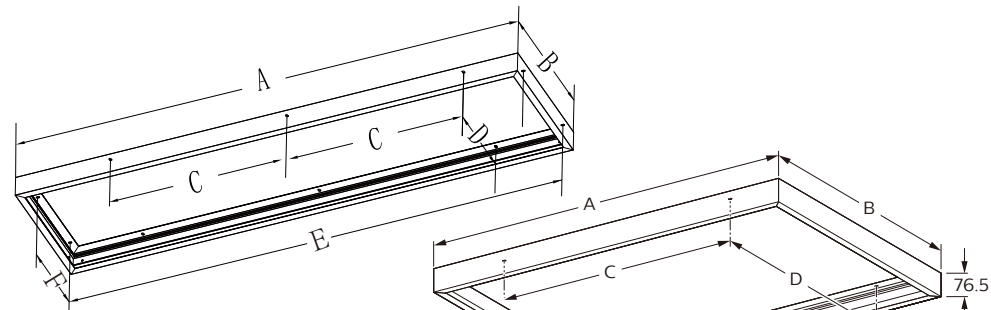
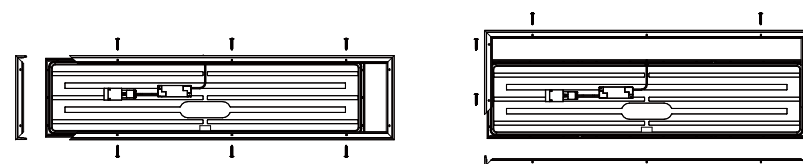


Surface mounted

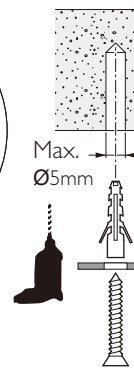
Optional with
911401860884 RC132Z G5 SMB W60L60
911401860984 RC133Z G5 SMB W62L62/911401861084 RC132Z G5 SMB W30L120



1

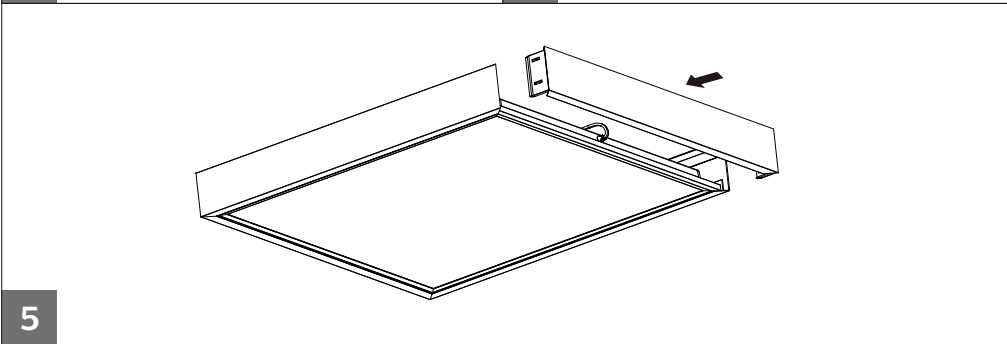
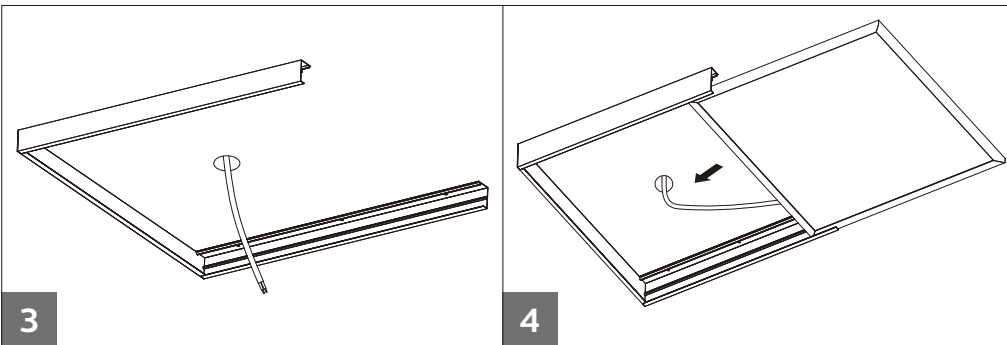


W60L60/W62L62: 4x
W30L120: 6x

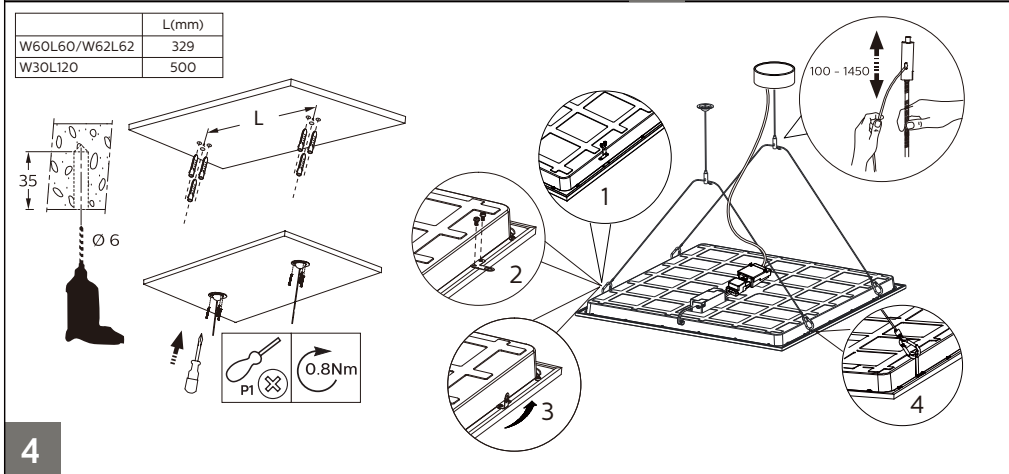
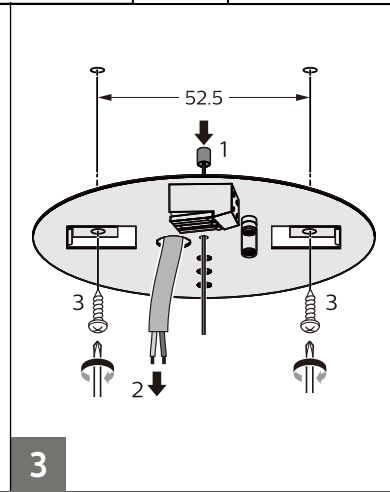
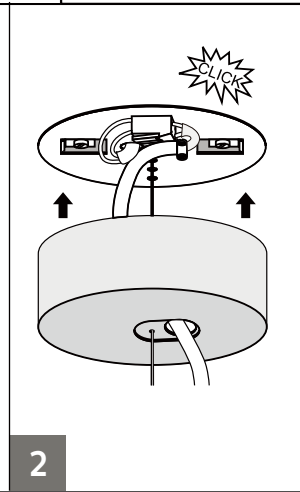
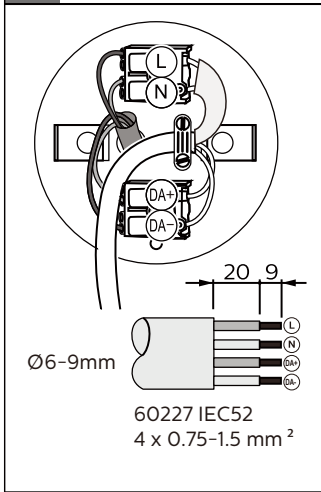
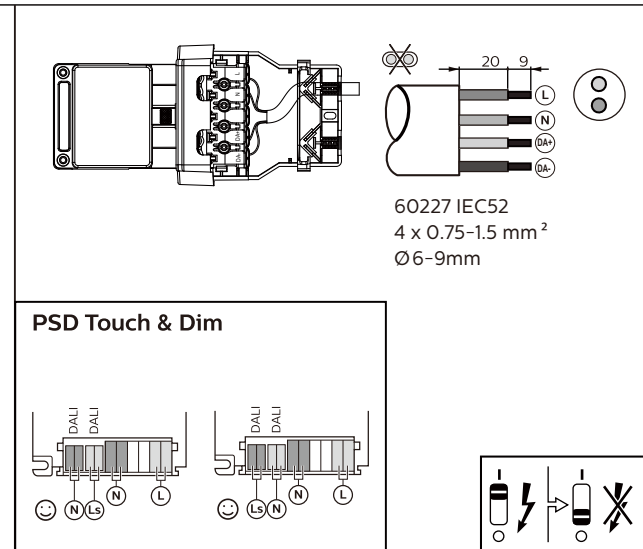
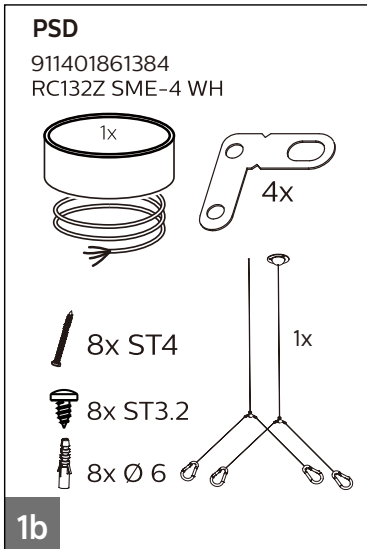
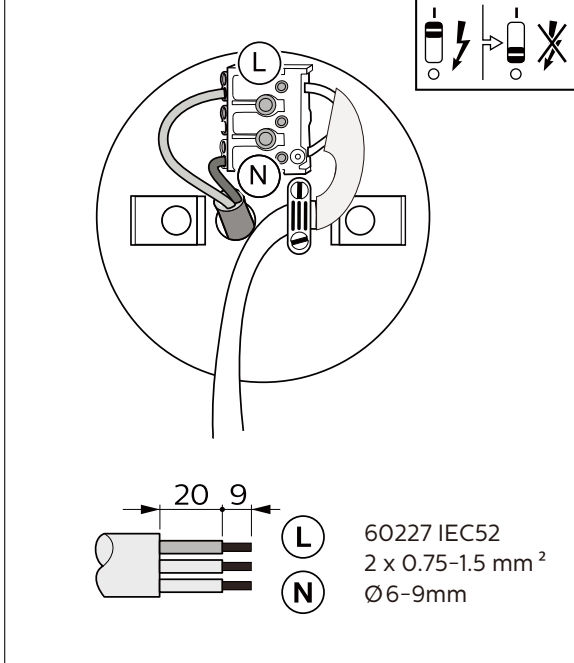
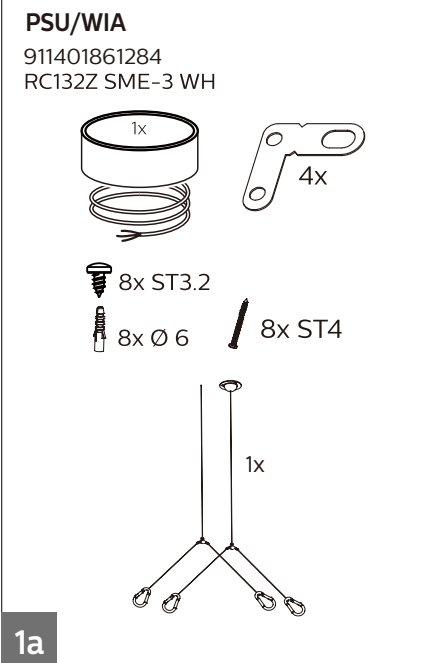


	A	B	C	D	E	F
W60L60	615.5	615.5	335.5	580	/	/
W62L62	640.5	640.5	428	605	/	/
W30L120	1215.5	315.5	855.5	280	/	/
	/	/	/	/	1180	210

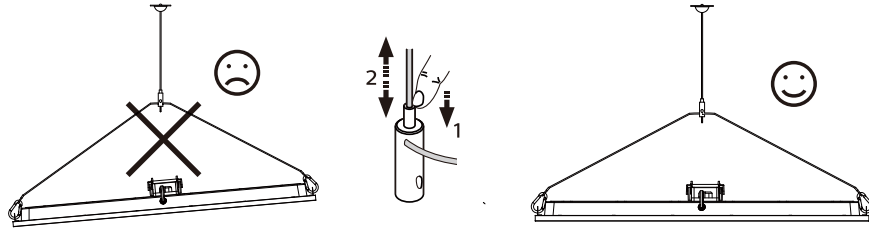
2



Suspension
 Optional with
 911401861284 RC132Z G5 SME-3 WH(PSU/WIA)
 911401861384 RC132Z G5 SME-4 WH(PSD)



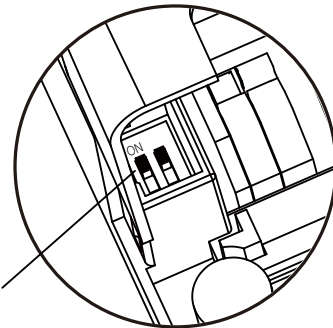
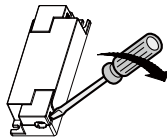
5



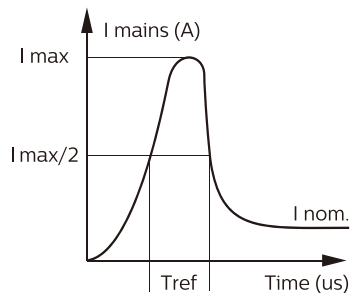
Multi Lumen

PSD					
Lumen selection					
Lumen (/830)	Lumen (/840)	Lumen (/940)	Iout	Pin1	Pin2
2900	3100		0.65A	OFF	OFF
3400	3600	3100	0.75A	ON	OFF
4000	4300	3600	0.9A	OFF	ON
		4300	1.05	ON	ON

PSU					
Lumen selection					
Lumen (/830)	Lumen (/840)	Iout	Pin1	Pin2	
2900	3100	0.65A	OFF	OFF	
3400	3600	0.75A	ON	OFF	
4000	4300	0.9A	ON	ON	



Inrush current



	PSU		PSD			WIA
	28.5W	34.5W	28.5W	34.5W	40W	28.5/34.5W
Electrical characteristics						
I_{max}(A)	16	13	18.3	18.7	18.7	4.8
T_{ref} (us)	200	200	276	288	288	56
MCB	No. of luminaires max.					
B-10 A	13	16	8	7	7	32
B-16A	21	25	14	12	12	50
C-10 A	18	23	13	12	12	52
C-16A	30	36	21	19	19	85
	PSU MultiLumen		PSD MultiLumen		PSD (/940) MultiLumen	
	24.5/28.5/34.5W		24.5/28.5/34.5W		28.5/34.5/40W	
Electrical characteristics						
I_{max}(A)	19.7		18.7		18.7	
T_{ref} (us)	242		288		288	
MCB	No. of luminaires max.					
B-10 A	8		7		7	
B-16A	13		12		12	
C-10 A	12		12		12	
C-16A	20		19		19	

GB	This product contains a light source of energy efficiency class: D,E	RO	Acest produs contine o sursă de lumină cu clasa de eficiență energetică: D,E
ES	Este producto contiene una fuente luminosa de la clase de eficiencia energética: D,E	CZ	Tento výrobek obsahuje světelný zdroj s třídou energetické účinnosti:D,E
PT	Este produto contém uma fonte de luz da classe de eficiência energética: D,E	FI	Tämä tuote sisältää valonlähteen, jonka energiatehokkuusluokka on:D,E
DE	Dieses Produkt enthält eine Lichtquelle der Energieeffizienzklasse:D,E	SE	This Denna produkt innehåller en ljuskälla med energieffektivitetsklass:D,E
FR	Ce produit conti nt une source lumineuse de classe d'efficacité énergétique: D,E	HU	Ez a termék egy energiatékonysági osztályú fényforrást tartalmaz:D,E
IT	Questo prodotto contiene una sorgente luminosa di classe di efficienza energetica: D,E	SK	Tento výrobek obsahuje svetelný zdroj triedy energetické účinnosti:D,E
NL	Dit product bevat een lichtbron van energie-efficiëntieklasse: D,E	HR	Ovaj proizvod sadržava izvor svjetlosti klase energetske učinkovitosti:D,E
DK	Dette produkt indeholder en lyskilde i energieeffektivitetsklasse: D,E	LV	Šis ražojums satur gaismas avotu, kura energoefektivitātes klase ir:D,E
LT	Šiame gaminyje yra šviesos šaltinis, kurio energijos vartojimo efektyvumo klasė: D,E	EE	Toode sisaldab energiatõhususe klassi valgusallikat: D,E
GR	Το προϊόν αυτό περιέχει φωτεινή πηγή της τάξης ενεργειακής απόδοσης: D,E	BG	Този продукт включва светлинен източник с клас на енергийна ефективност: D,E
PL	Ten produkt zawiera źródło światła o klasie efektywności energetycznej: D,E	SI	Ta izdelek vsebuje svetlobni vir razreda enerjske učinkovitosti: D,E

GB	The light source and/or control gear and/or the external flexible cable contained in this luminaire shall only be replaced by the manufacturer or his service agent or a similar qualified person.
ES	La fuente de luz/o el driver / o el cable flexible contenido en la luminaria solo podrá ser sustituido por el fabricante o su agente de servicio o por una persona cualificada.
PT	A fonte de luz e/ou o equipamento de controlo e/ou o cabo externo flexível nesta luminária só devem ser substituídos pelo fabricante ou pelo seu agente de serviço ou por pessoa qualificada para tal.
DE	Die in dieser Leuchte enthaltene Lichtquelle und/oder das Betriebsgerät und/oder das externe flexible Anschlusskable darf nur vom Hersteller oder seinem Kundendienst oder einer ähnlich qualifizierten Person ausgetauscht werden.
FR	La source lumineuse et/ou le contrôleur de courant et/ou le câble souple d'alimentation contenus dans ce luminaire ne doivent être remplacés que par le fabricant, un de ses agents ou une personne qualifiée.
IT	La sorgente luminosa e/o il dispositivo di controllo e/o il cavo flessibile esterno contenuti in questo apparecchio di illuminazione sono sostituiti solo dal costruttore o dal suo agente di servizio o da una persona qualificata analoga.
NL	De lichtbron en/of voorschakelapparatuur en/of de flexibele voedingskabel van dit armatuur mag alleen vervangen worden door de fabrikant of haar service dealer of een vergelijkbaar gekwalificeerd persoon.
DK	Lyskilden og/eller driver og/eller eksterne kabler indeholdt i dette armatur må kun udskiftes af producenten eller godkendt service partner eller lignende kvalificeret person.
SE	Ljuskällan och/eller styrsystemet och/eller den externa kablern i denna armatur får endast bytas ut av tillverkaren eller en kvalificerad person.
NO	Lyskilden og/eller driveren og/eller den eksterne kablern i dette armaturet skal bare erstattes av produsenten eller dens service agent eller tilsvarende kvalifisert person.
CZ	Světelný zdroj a/nebo napájecí zdroj (předřadník) a/nebo flexibilní napájecí kabel v tomto svítidle smí vyměňovat pouze výrobce nebo jeho servisní technik nebo obdobně kvalifikovaná osoba.
HU	A lámpatestben található fényforrást és/vagy működtető szerelvényt és/vagy a külső rugalmas kábelt csak a gyártó, a gyártóval szerződött cég vagy megfelelő képesítéssel rendelkező szakember cserélheti ki.
PL	Źródło światła i/lub zasilacz i/lub zewnętrzny przewód zasilający, który jest w oparciu powinien być wymieniony przez producenta lub jego serwisanta lub kwalifikowany personel.
RO	Sursa de lumină și / sau aparatul și / sau cablu flexibil extern conținut în acest aparat de iluminat trebuie înlocuite numai de producător sau de agentul său de service sau de o persoană calificată similară.
FI	Tässä valaisimessa oleva valonlähde ja/tai muut komponentit, kuten liitäntälaitte ja/tai ulkoiset kaapelit saadaan vaihtaa vain valmistajan tai tämän valtuuttaman huoltoedustajan tai vastaavan pätevän henkilön toimesta.
TR	Bu armatürde bulunan ışık kaynağı ve / veya kontrol tertibatı ve / veya harici esnek kablo, yalnızca imalatçı veya onun servis temsilcisi veya benzer bir kalifiye kişi tarafından değiştirilmelidir.
HR	Izvor svjetlosti i / ili predpoina naprava i / ili vanjski fleksibilni napojni kabel sadržan u ovoj svjetiljci smije zamijeniti samo proizvođač, ovlašteni serviser ili adekvatna stručno osposobljena i ovlaštena osoba.
GR	Η φωτεινή πηγή ή/και τα όργανα έναρσης/ελέγχου ή/και το εξωτερικό εύκαμπτο καλώδιο που περιέχεται στο εν λόγω φωτιστικό πρέπει να αντικαθίστανται μόνο από τον κατασκευαστή ή τον αντιπρόσωπο σέρβις ή παρόμοιο εξουσιοδοτημένο πρόσωπο.
BG	Източникът на светлина и / или пусково-регулируща апаратура и / или външният гъвкав кабел, съдържащ се в това осветително тяло, трябва да бъдат заменени само от производителя или неговия авторизиран сервиз или подобно квалифицирано лице.
RU	Источник света и / или ПРА и / или внешний гибкий кабель, содержащиеся в этом светильнике, могут быть заменены только производителем, его агентом по обслуживанию или аналогичным квалифицированным лицом.
SK	Svetelný zdroj a/alebo predradnik a/alebo externý flexibilný kábel obsiahnutý v tomto svietidle môže byť vymenený len výrobcom alebo servisným partnerom alebo inou podobne kvalifikovanou osobou.
LT	Šviesos šaltinis ir/arba valdymo įrenginys ir/arba išorinis lankstus kabelis esantis šiame šviestuve gali būti pakeistas tik gamintojo arba jo aptarnavimo agento ar tai atitinkancio kvalifikuoto asmens.
LV	Gaismas avotu un / vai vadības ierīci un / vai ārējo elastīgo kabeli, kas atrodas šajā gaismeklī, drīkst nomainīt tikai ražotājs vai viņa servisa pārstāvis vai līdzīga kvalificēta persona.
EE	Selles valgustus sisalduva valgusallika ja/või juhtimiseadme ja/või välise painduva kaabli võib välja vahetada ainult tootja, vastav hooldusspetsialist või muu samane kvalifitseeritud isik.
SI	Vir svetlobe in / ali napajalnik in / ali zunanji prilagodljivi kabel, ki ga vsebuje ta svetilka, lahko zamenja le proizvajalec ali njegov servis ali podobna usposobljena oseba.



- The luminaire shall be installed by a qualified electrician and wired in accordance with the latest IEE electrical regulations or the national requirements.
- The light source contained in this luminaire shall only be replaced by the manufacturer or his service agent or a similar qualified person.
- During installation or maintaining the luminaire please use gloves to avoid spots on the cover.
To remove dirt and spots use the following:
 - Dust: use micro fiber cloths only.
 - Fingerprints, etc.: use a cleaner for synthetic materials with antistatic properties.
- Luminaires not suitable for covering with thermally insulating material.
- For controllable luminaires, the classification of insulation between LV supply and control conductors shall be basic insulation at least.
- Luminaire must not be used or stored in corrosive environment where hazardous materials such as Sulphur, Chlorine, Phthalates, etc, are present.
- Luminaire not suitable for central emergency.



GB - Disconnect before servicing
FR - Mettre hors tension avant intervention
DE - Öffnen nur spannungsfrei
NL - Stroom afsluiten voor onderhoud
LT - Pirms apkopės atvienojiet nuo elektros
EE - Katkesta elektril toide enne valgusti hoodlustremontil
PT - Desconecte antes de fazer a manutenção

DK - Frakobl, før service
NO - Koble fra før service
FI - Irrota pistoke ennen huoltoa
CZ - Před servisem se odpojte
TR - Servis yapmadan önce bağlantıyı kesin
HR - Prije servisiranja isključite
GR - Αποσυνδέστε πριν από τη συντήρηση
BG - Изключете преди сервис
RS - Отключите перед обслуживанием
LV - Pirms apkopės atvienojiet to

IT - Togliere tensione prima di fare manutenzione
SP - Desconectar antes de manipular
SE - Bryt strömmen före lampbyte
SK - Odpojit' pred údržbou
SI - Pred servisiranjem izključite svetilko
HU - Karbantartás előtt húzza ki a csatlakozót
PL - Odłącz przed serwisowaniem
RO - Deconectați-vă înainte de întreținere

GB	Luminaire has basic insulation between Low Voltage supply and control conductors	RO	Corpul de iluminat dispune de izolație de bază între sistemul de alimentare de joasă și conductorii de control
SP	La luminaria tiene un aislamiento básico entre la alimentación de baja tensión y los cables de la señal de control	CZ	Ve svítidle je mezi vodiči napájení a řízení základní izolace
PT	A luminária tem um isolamento básico entre a alimentação de baixa tensão e os cabos de sinal de controlo	TR	Armatür, Alçak Gerilim beslemesi ile kontrol iletkenleri arasında temel izolasyona sahiptir
DE	Die Leuchte verfügt über eine einfache Isolation zwischen der Niederspannungsversorgung und den Steuerleitungen	HR	Svjetiljka ima osnovnu izolaciju između napajanja i upravljačkih konektora
FR	Le luminaire comporte une isolation de base entre l'alimentation basse tension et les câbles de contrôle	GR	Το φωτιστικό διαθέτει βασικήμόνωση μεταξύ της χαμηλής τάσης τροφοδοσίας και των αγωγών ελέγχου
IT	Il grado di isolamento tra il conduttore di alimentazione ed il conduttore di segnale è básico	BG	Осветителното тяло има основна изолация между захранването ниско напрежение и контролните проводници
NL	Armatuur heeft een basisisolatie tussen laagspannings-voeding en controle bedrading	RS	Светилник обладает базовой электроизоляцией между низковольтным блоком питания и управляющими проводниками
DK	Armatøret har enkelisoleret mellem lavvoltageforsyningen og styrelødingerne	SK	Svietidlo má základnú izoláciu medzi vodičmi zdroja nízkeho napätia a riadiacimi vodičmi
SE	Armatyren har enkelisoleret mellan lågvoltförsörjningen och styrfedningarna	LT	Šviestuvvas turi elementarią izoliaciją tarp žemos įtampos maitinimo ir valdymo laidų
NO	Armatøret har enkelisoleret mellom lavvoltageforsyningen og styrelødingene	LV	Gaismeklīm ir pamata izolācija starp zemsprieguma barošanas un vadības aprīkojuma
FI	Valaismassa on peruseristys syöttöjännitteen ja ohjausohjtimien välillä	EE	Valgustil on põhisolatsioon madalpinge toite ja juhtimiseadmete vahel
HU	A lámpatest kifesztésültségű és szabályozó bemenetei galvanikusan el vannak választva	SI	Svetilka ima osnovno izolacijo med nizkonapetnostnimi napajalnimi in regulacijskimi vodniki
PL	Oprawa posiada podstawową izolację pomiędzy modulem zasilania niskonapięciowego i przewodami sterującymi		

GB	Storage, installation, use, operation and maintenance of the products needs to be performed exactly according to the instructions in this manual and/or other instructions as may be provided by us to guarantee safe use of the product over its entire lifetime. Failure to adhere to these instructions will invalidate your entitlement to warranty. Bolts with indication of torque strength on the drawing need to be tightened using a calibrated torque wrench. Pre-assembled bolts need to be retightened again to the required torque specification to assure maximum strength over lifetime.
SP	El almacenamiento, instalación, uso, funcionamiento y mantenimiento de este producto debe realizarse exactamente según las instrucciones de este manual, así como otras instrucciones que le proporcionemos con el fin de garantizar un uso seguro del producto durante toda su vida útil. Si no se cumplen estas instrucciones, la garantía quedará anulada. Los tornillos con indicación de par de apriete en el dibujo, deben apretarse con una llave dinamométrica calibrada. Los tornillos del acoplamiento premontados deben reapretarse de nuevo con la especificación de par de apriete necesaria para garantizar una soldad máxima durante toda la vida útil de la luminaria.
PT	Para garantir uma utilização segura do produto durante a respetiva vida útil, o armazenamento, a instalação, a utilização, a operação e a manutenção dos produtos tem de ser efetuados exatamente de acordo com as instruções neste manual e/ou com outras instruções que possam ser fornecidas por nós. O incumprimento destas instruções irá invalidar o direito a garantia. Os parafusos com indicação do torque no esquema tem de ser apertados utilizando uma chave dinamométrica calibrada. Os parafusos pré-montados tem de ser novamente apertados de acordo com a especificação de torque necessário para garantir uma resistência máxima durante a vida útil.
DE	Lagerung, Installation, Verwendung, Betrieb und Wartung der Produkte müssen genau nach den Anweisungen in dieser Anleitung und/oder anderen von uns zur Verfügung gestellten Anweisungen erfolgen, um eine sichere Verwendung des Produkts über seine gesamte Lebensdauer zu gewährleisten. Bei Nichtbeachtung dieser Hinweise erlischt Ihr Anspruch auf Gewährleistung. Schrauben mit Angabe der Drehmomente auf der Zeichnung müssen mit einem kalibrierten Drehmomentschlüssel angezogen werden. Vormontierte Schrauben müssen mit dem angegebenen Drehmoment nachgezogen werden, um eine maximale Festigkeit über die gesamte Lebensdauer zu gewährleisten.
FR	Le stockage, l'installation, l'utilisation et la maintenance des produits doivent être effectués conformément aux instructions de ce manuel et / ou d'autres instructions que nous fournissons afin de garantir une utilisation sûre du produit pendant toute sa durée de vie. Le non-respect de ces instructions invalidera votre droit à la garantie. Les vis, dont les couples de serrage sont indiqués sur les schémas, doivent être serrés à l'aide d'une clé dynamométrique étalonnée. Les vis, préassemblées, doivent être resserrés à nouveau selon la spécification de couple de serrage requise afin d'assurer leur résistance maximale pendant toute leur durée de vie.
IT	Le stock, l'installazione, l'uso, il funzionamento e la manutenzione dei prodotti devono essere eseguiti esattamente in base alle istruzioni contenute nel presente manuale e / o in altra documentazione fornita da noi per garantire la sicurezza del prodotto per l'intera durata del suo utilizzo. La mancata osservanza di queste istruzioni annullerà la garanzia. I bulloni, con indicazione sull'intensità della coppia serraggio sul disegno devono essere serrati utilizzando una chiave dinamometrica calibrata. I bulloni pre-assemblati devono essere riserrati nuovamente secondo le specifiche di coppia richieste per assicurare la massima resistenza per tutta la durata.
NL	Om een veilig gebruik van dit product gedurende zijn hele levensduur te garanderen, dient het opslaan, installeren, gebruiken, bedienen en onderhouden ervan exact te worden uitgevoerd in overeenstemming met de instructies in deze handleiding en/of andere door ons geleverde instructies. Niet opvolgen van deze instructies maakt uw aanspraak op garantie ongetuigd. Bouten waarvan in de tekening het aanhaalkoppel is vermeld, dienen te worden vastgezet met behulp van een momentsleutel. Voorgeassembleerde bouten dienen opnieuw te worden aangehaald tot het vereiste koppel om maximale strekte gedurende de hele levensduur te waarborgen.
DK	Opbevaring, installation, brug, betjening og vedligeholdelse af produkterne må kun udføres ifølge instruktionerne i denne vejledning og/eller eventuelle øvrige instruktioner fra Signify for at garantere sikker brug af produktet i hele dets levetid. Hvis disse instruktioner ikke følges, bortfalder produktgarantien. Bolte/skruer med angivet spændingsmoment på tegningen skal spændes med en indstillet momentsnagel. Færdigsamlende bolte/skruer skal efterspændes i henhold til det specificerede moment for at sikre maksimal fastgørelse i hele produktets levetid.
SE	Förvaring, installation, användning, drift och underhåll av produkterna måste utföras enligt instruktionerna i denna handbok och/eller andra instruktioner som kan tillhandahållas av oss för att garantera säker användning. Om instruktioner inte följs frångår man produktgarantin. Skruvar där vridmoment anges på ritningen måste dras åt med en kalibrerad skiftnyckel. Förmonterade skruvar måste dras åt igen med angivet vridmoment för att säkerställa högsta styrka under livslängden.
NO	Oppbevaring, montering, bruk, drift og vedlikehold av produktene må utføres nøyaktig i samsvar med instruksjonene i denne handboken og/eller andre instruksjoner vi måtte gi for å garantere sikker bruk av produktet i hele dets levetid. Hvis instruksjonene ikke følges, bortfaller garantien. Bolter med angivelse av dreiemoment på tegningen må strammes med en kalibrert momentnøkkel. Ferdigmonterte bolter må strammes på nytt til pakrevd dreiemoment for å sikre maksimal styrke i hele produktets levetid.
FI	Tuotteiden asennuksessa, käytössä ja huollossa on noudatettava tarkoin tässä käyttöoppaassa tai muissa toimittamissamme ohjemateriaaleissa annettuja ohjeita. Tämä varmistaa tuotteen turvallisen toiminnan koko sen käyttöajan ajan. Näiden ohjeiden noudattamatta jättäminen mitätöi kaikki oikeutusi takuukorvauksiin. Pultit, joille on asennusohjeessa ilmoitettu tietyt kiristystuokkuus, on kiristettävä kalibroilla momenttiavaimella. Esiasennetut pultit on kiristettävä ilmoitettuun kiristystuokkuuteen koko käyttöajan mittaisen kestävyyden varmistamiseksi.
PL	Przechowywanie, instalacja, użytkowanie i konserwacja produktów musi odbywać się ściśle według wytycznych zawartych w niniejszej instrukcji i / lub w innych instrukcjach, które dołączamy aby zagwarantować bezpieczne użytkowanie produktu przez cały okres eksploatacji. Nieprzestrzeganie tych instrukcji może spowodować utratę prawa do gwarancji. Śruby, przedstawione na rysunku wskazującym siłę momentu dokręcania, muszą być dokręcone za pomocą kalibrowanego klucza dynamometrycznego. Aby zapewnić maksymalną wytrzymałość w całym okresie użytkowania, wstępnie zamontowane śruby należy dokręcić zgodnie z wymaganą specyfikacją momentu dokręcania.
RO	Depozitarea, instalarea, utilizarea, operarea și întreținerea produselor trebuie să fie efectuate exact în conformitate cu instrucțiunile din acest manual și/sau cu alte instrucțiuni care pot fi furnizate de noi pentru a garanta utilizarea în siguranță a produsului, pe întreaga durată de viașă a acestuia. Nerespectarea acestor instrucțiuni va anula dreptul la garanție. Șuruburile care au cuplul de strângere indicat pe desen, trebuie să fie strânse cu ajutorul unei chei dinamometrice calibrate. Șuruburile preasamblate trebuie să fie strânse din nou la specificația de cuplu cerută, pentru a asigura rezistența maximă pe întreaga durată de viașă.
CZ	Při uchovávaní, montáži, používání a údržbě produktů je třeba postupovat přesně podle pokynů v této příručce a dalších našich případných pokynů, které zajišťují bezpečné používání produktů po celou dobu jejich životnosti. Když tyto pokyny dodržovat nebudete, přijmete o záruku. Šrouby, které mají na výkresu uveden utahovací moment, je třeba utahovat zkalibrovaným momentovým klíčem. Předem namontované šrouby je třeba dotáhnout požadovaným momentem, aby po dobu životnosti produktu držely na místě.
TR	Ürünlerin saklanması, kurulumu, kullanımı, çalıştırılması ve bakımı, ürünün kullanım ömrü boyunca güvenli kullanımının sağlanması amacıyla tam olarak bu kılavuzdaki ve / veya tarafımızdan sağlanan diğer talimatlara uyğun biçimde gerçekleştirilmelidir. Söz konusu talimatlara uyulmaması, ürünle ilgili garanti haklarınızı geçersiz kılar. Teknik çizimde yanında sıkma torku değeri belirtilen civatalar kalibre edilmiş bir tork anahtar kullanılarak sıkılmalıdır. Önceden takılmış olarak gelen civataların da belirtilen tork değerine uygun biçimde yeniden sıkılması, kullanım ömrü boyunca maksimum dayanıklılığın sağlanması açısından önemlidir.
BG	Съхранението, инсталирането, употребата, експлоатацията и поддръжката на продуктите трябва да се извършват точно в съответствие с указанията в това ръководство и / или други инструкции, които могат да бъдат предоставени от нас, за да се гарантира безопасна употреба на продукта през целия му експлоатационен живот. Неспазването на тези указания ще обезсили Ващото право на гаранция. Болтовете с индикация за силата на въртящия момент на чертежа трябва да бъдат затегнати с помощта на калибриран гаечен ключ. Предварително слобнените болтове трябва да бъдат отново затегнати до изискваната спецификация на въртящия момент, за да осигурят максимална якост по време на експлоатационния живот.
GR	Η αποθήκευση, η εγκατάσταση, η χρήση, η λειτουργία και η συντήρηση των προϊόντων πρέπει να γίνεται ακριβώς σύμφωνα με τις οδηγίες του παρόντος εγχειριδίου ή / και τις άλλες οδηγίες που ενδεχομένως να παρασχεθούν, προκειμένου να είναι εγγυημένη η ασφαλή χρήση του προϊόντος για ολόκληρη τη διάρκεια ζωής του. Η μη εφαρμογή αυτών των οδηγιών θα ακυρώσει τα δικαιώματά σας στο πλαίσιο της εγγύησης. Οι βίδες με ένδειξη τιμής ροπής σύσφιξης στο σχέδιό θα πρέπει να σφιστούν με τη χρήση ενός βαθμονομημένου ροπακλειδού. Οι προ-συναρμολογημένες βίδες πρέπει να σφιστούν και πάλι με την απαιτούμενη τιμή ροπής σύσφιξης, προκειμένου να διασφαλιστεί η μέγιστη ισχύς σε όλη τη διάρκεια ζωής.

