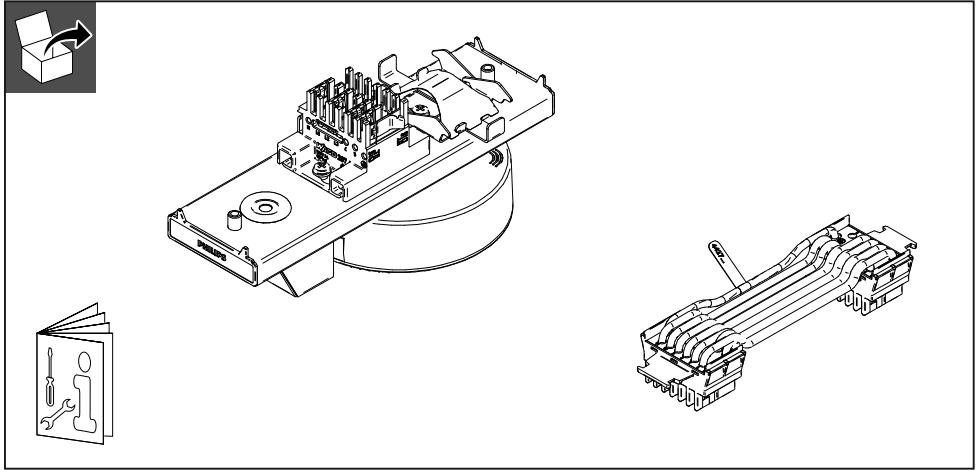


PHILIPS

Maxos Fusion

LL500E



L(mm)



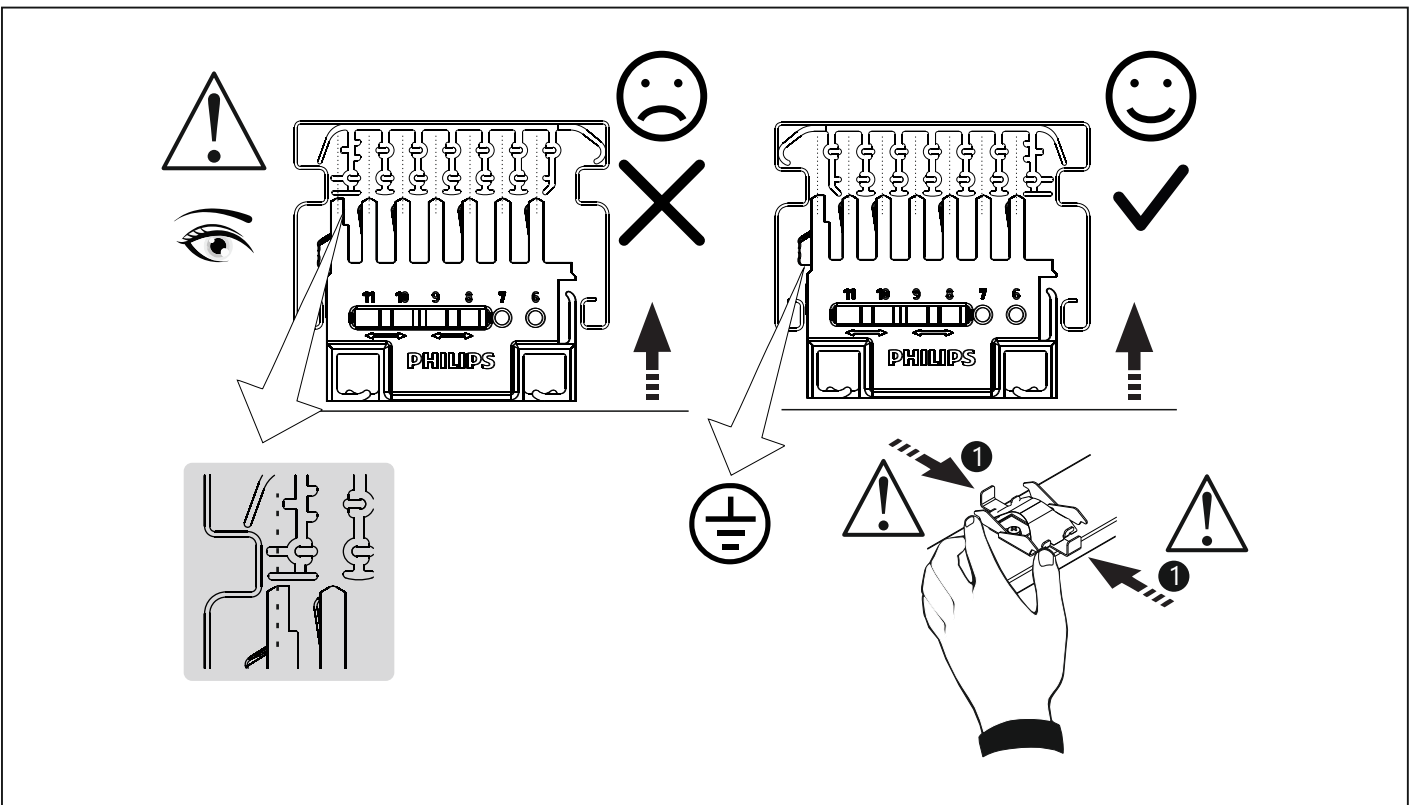
LL500E IRE / LL500E H4	212	0,6
------------------------	-----	-----

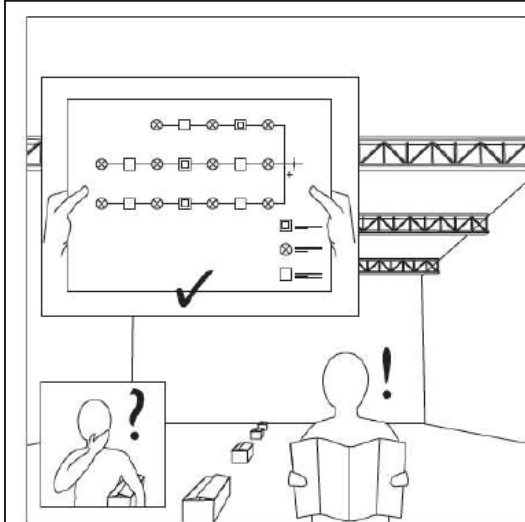
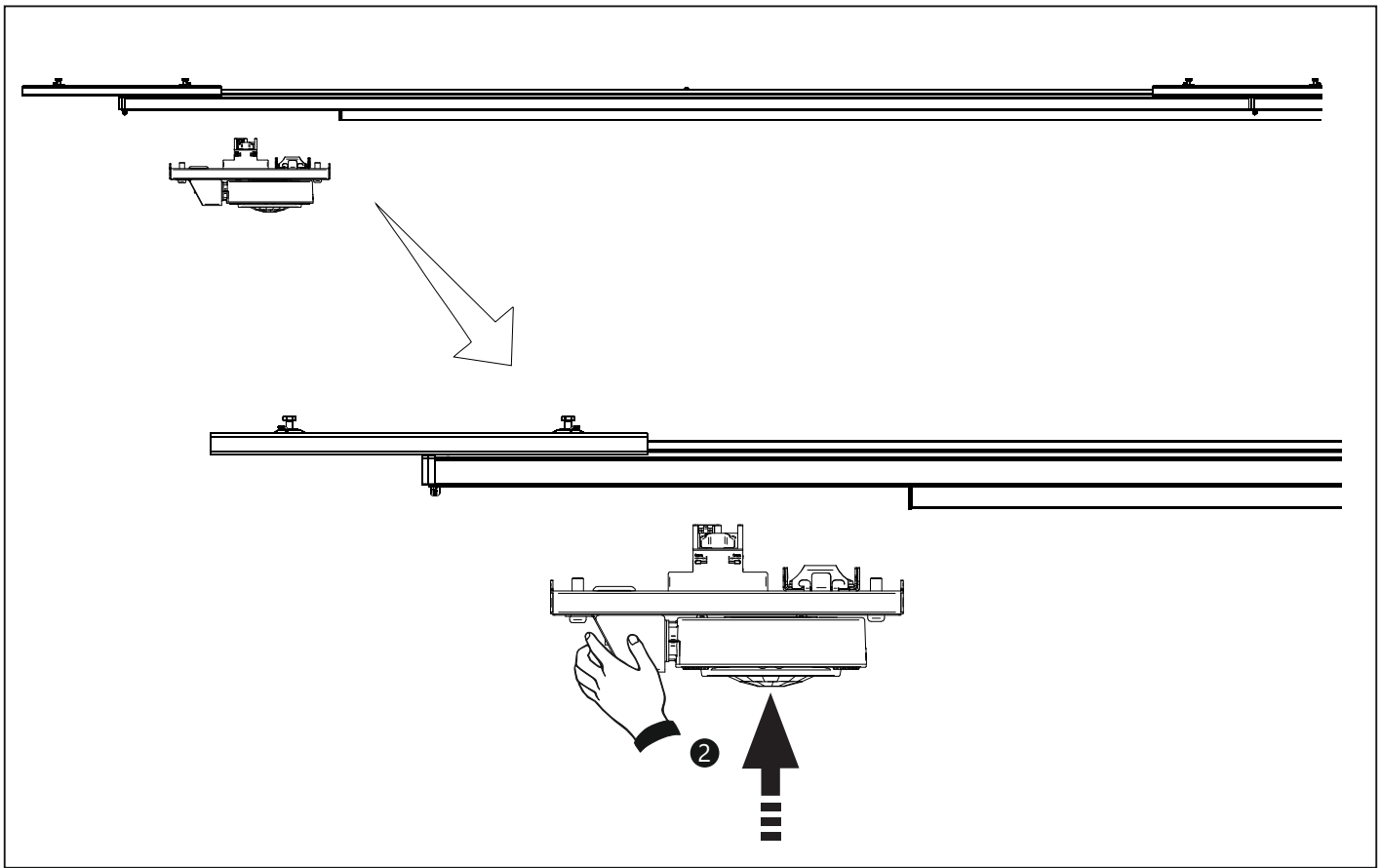
FRONT SIDE

BACK SIDE

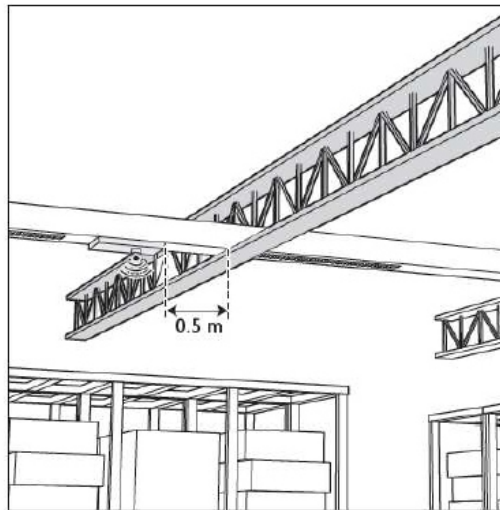
	FRONT SIDE					BACK SIDE						Trunk Compatibility				
	PE	N	L1	L2	L3	4	5	6	7	8	9	10	11	LL...T7...	LL...T9...	LL...T13...
LL500E IRE / LL500E H4	PE					SR+	SR-							✓	✓	✓

- for use with SR drivers
 - one sensor supports max. 4 drivers (4 panels)
 - use T2T GW11 connector (442710302230) to connect trunks and separate group of panels containing one sensor

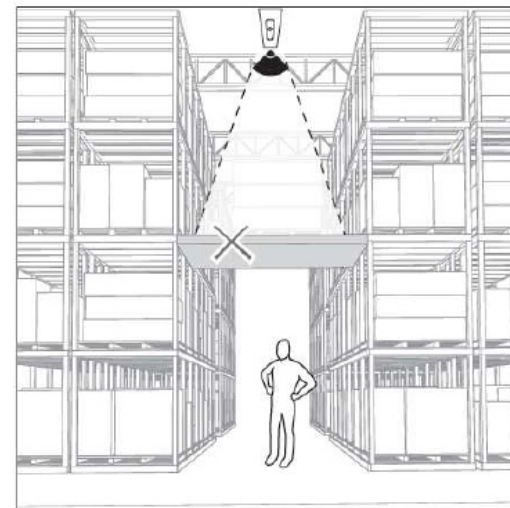
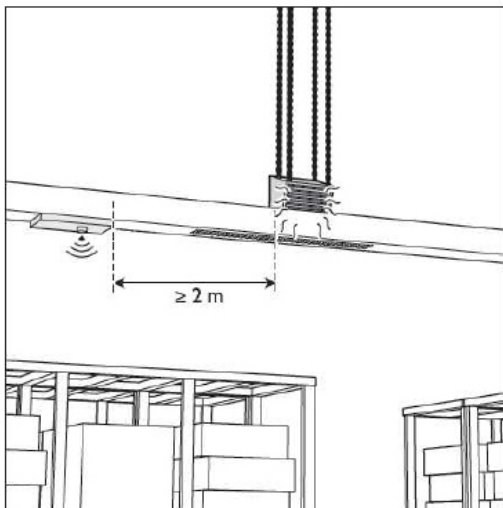




You must have a lighting plan, if you install the warehouse system.



Do not install the warehouse system control unit close to steel or concrete constructions.



Do not block the view of the warehouse system sensor.